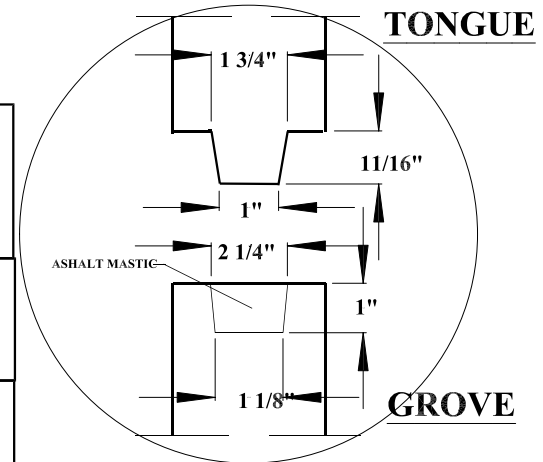
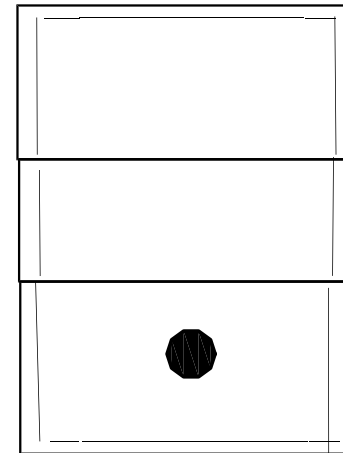
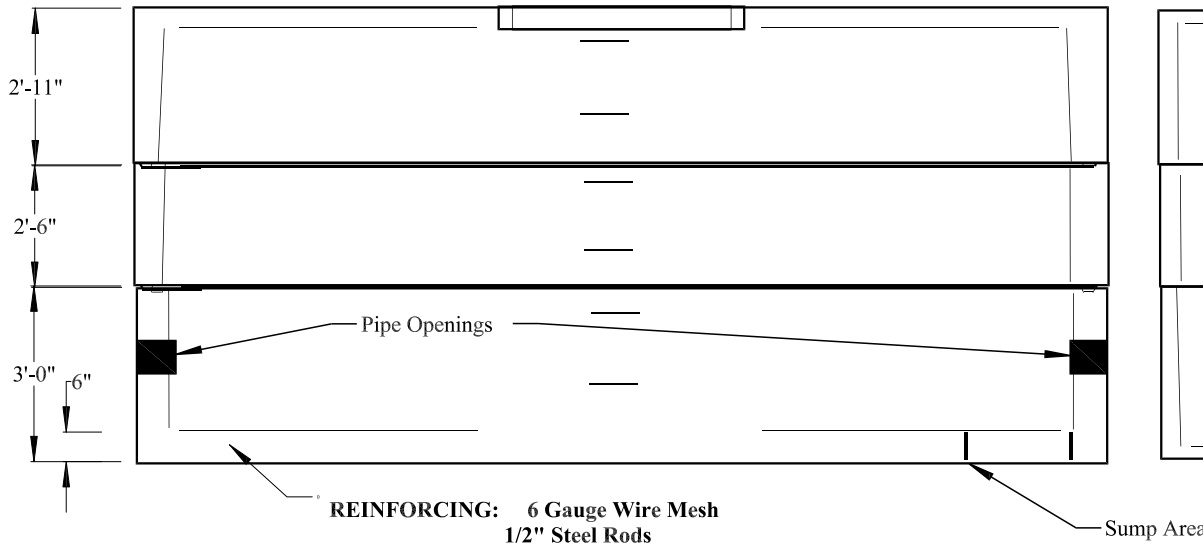


ASSEMBLED TANK



JOINT DETAIL

SCALE: NONE

COATE CONCRETE PRODUCTS

P. O. BOX 159, WEST MILTON, OH 45383
WEST MILTON PHONE: (937) 698-4181

OHIO WATS PHONE: (800) 762-4066

MODEL: METER PIT

MATERIAL: VIBRATED CONCRETE REINFORCED W/ 6X6" 6/6 Ga. WIRE MESH & 1/2" REBAR

SCALE: 3/8" = 1'-0" UNLESS OTHERWISE NOTED

DR. BY: RVA

DATE: 10/04/00

DWG. No: 01-4000SC-A01

SHEET 1 OF 1

NOTES:

DATE	REV.	LOC.	DESCRIPTION
------	------	------	-------------