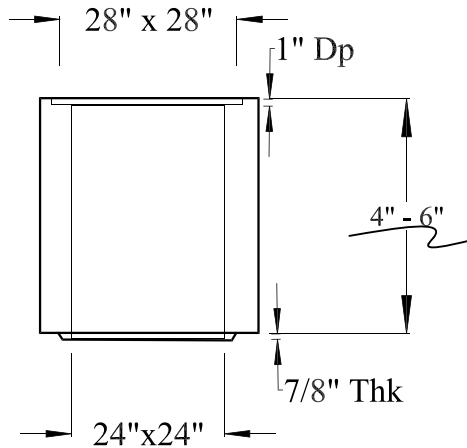


Heavy Duty Cast Iron Grate



2 - 2B - 4" - 6" Catch Basin Risers

COATE CONCRETE PRODUCTS

P. O. BOX 159, WEST MILTON, OH 45383

WEST MILTON PHONE: (937) 698-4181

OHIO WATS PHONE: (800) 762-4066

MODEL: Catch Basin Risers 2 - 2B - 4" - 6"

MATERIAL: VIBRATED CONCRETE REINFORCED W/ 6X6" 6/6 WIRE MESH & #4 (1/2") REBAR

SCALE: NONE UNLESS OTHERWISE NOTED

DR. BY: R.V.A.

DATE: 11/27/12

DWG. No: 2-2B-6

SHEET 1 OF 1