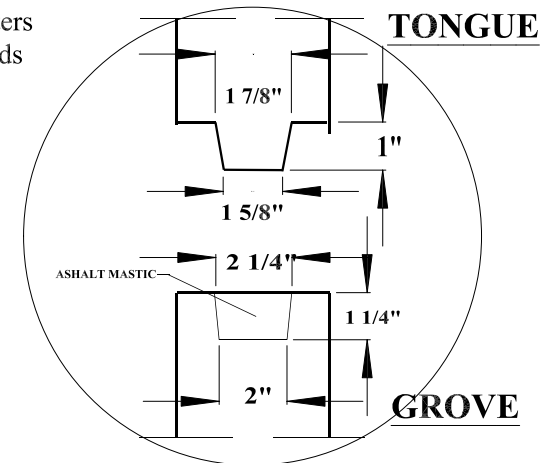
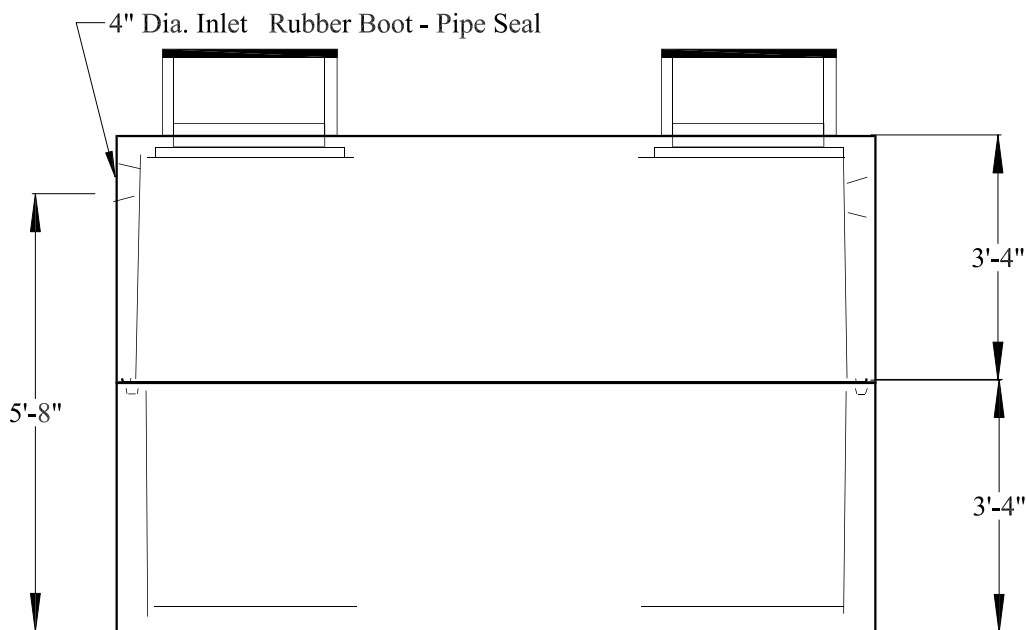


**ASSEMBLED TANK**

2" Dia. Rubber Boot - Pipe Seals  
 24" Dia. Fiberglass Ring Adapters  
 24" Dia. Ultra Rib Risers w/ Lids  
 (2) Required



**JOINT DETAIL**  
 SCALE: NONE

Note: 29.05 Gal / Inch

**COATE CONCRETE PRODUCTS**

P. O. BOX 159, WEST MILTON, OH 45383

WEST MILTON PHONE: (937) 698-4181

OHIO WATS PHONE: (800) 762-4066

**MODEL: 1500 Gal Dosing Tank**

**MATERIAL:** VIBRATED CONCRETE REINFORCED W/ 6X6" 10/10 WIRE MESH & #3 (3/8") REBAR

**SCALE:** 3/8" = 1'-0" UNLESS OTHERWISE NOTED

**DR. BY: RVA**

**DATE: 12/13/18**

**DWG. No:** 01-NEW1500SC-A01

**SHEET 1 OF 1**

DATE	REV.	LOC.	DESCRIPTION