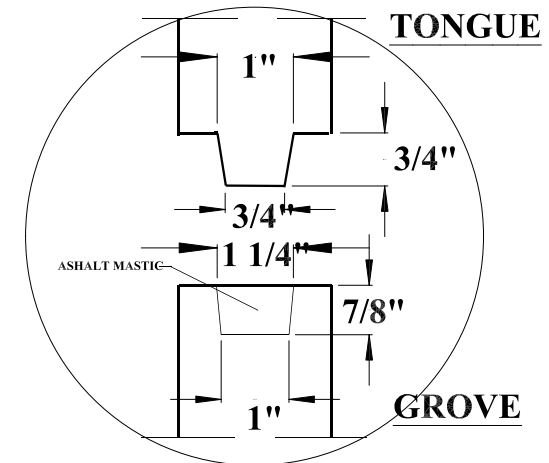
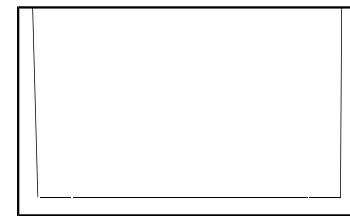
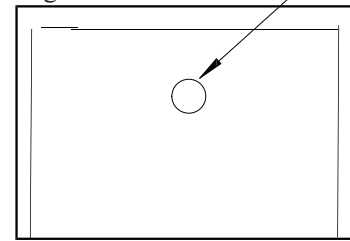
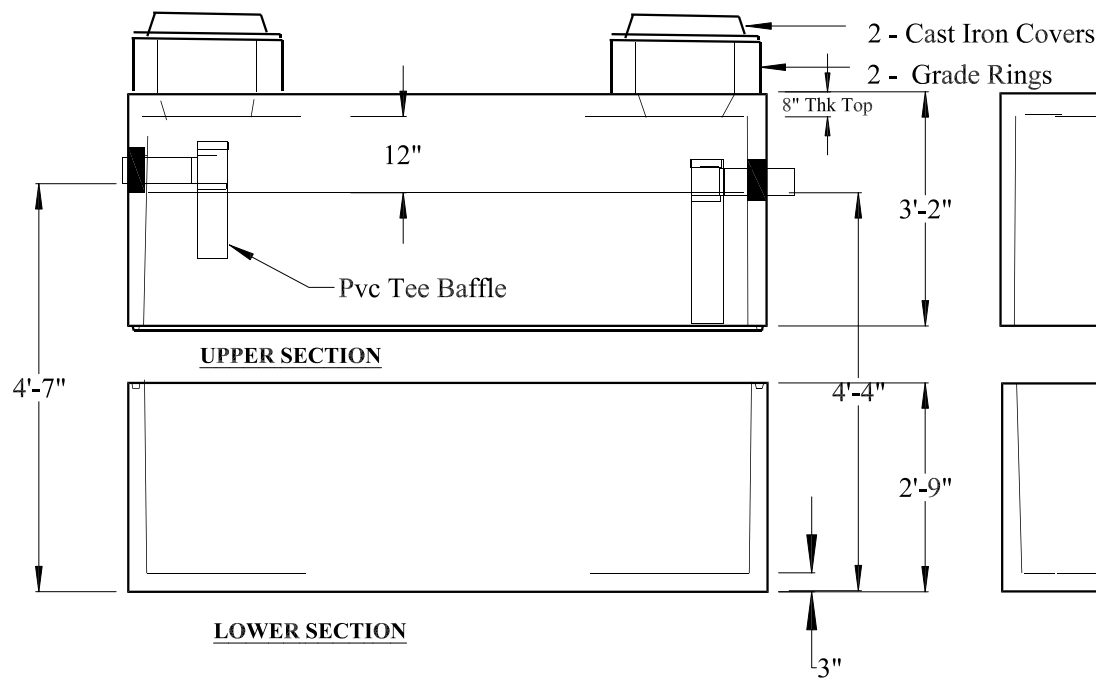


**ASSEMBLED TANK**

4" Dia. Rubber Boot - Pipe Seal  
Both Ends (2) Req'd



**JOINT DETAIL**

SCALE: NONE

1000 Gallon Grease Interceptor

<b>COATE CONCRETE PRODUCTS</b>	
P. O. BOX 159, WEST MILTON, OH 45383	
WEST MILTON PHONE: (937) 698-4181	
OHIO WATS PHONE: (800) 762-4066	
<b>MODEL: 1000 GALLON TANK</b>	
<b>MATERIAL:</b> VIBRATED CONCRETE REINFORCED W/ 6X6" 6/6 WIRE MESH & #4 (1/2") REBAR	
SCALE: None <span style="float: right;">UNLESS OTHERWISE NOTED</span>	
<b>DR. BY: RVA</b>	<b>DATE: 02/06/03</b>
<b>DWG. No: 01-1000SC-A01</b>	<b>SHEET 1 OF 1</b>

NOTES:

DATE	REV.	LOC.	DESCRIPTION